

BDI50
 COMPACT V/f & SENSORLESS INVERTER



GEFRAN

DESCRIPTION



The Inverter BDI50 concentrates all the characteristics required by modern industrial processes in a single compact product. At the same time BDI50 series comply with the typical needs of installers and system integrators who require forefront, practical solutions that are, above all, advantageous in terms of space, cost and simplicity of use.

The BDI50 is simple and powerful and provide maximum flexibility in machine integration through standard and optional fieldbus compatibility. User friendly interface and easy operation make BDI50 the right solution for every user and for multi-purpose applications.

- > Sensorless and V/f motor control
- > Compact size and user friendly standard interface
- > High flexibility in machine integration
- > Conformity to global standards.

POWER RANGE

	Power							
kW (Hp)	0.4 (0.5)	0.75 (1.0)	1.5 (2.0)	2.2 (3.0)	3.7 (5.0)	5.5 (7.5)	7.5 (10)	11 (15)
230 Vac, 1ph	Size 1		Size 2					
230 Vac, 3ph		Size 1	Size 2		Size 3	Size 4		
400 Vac, 3ph	Size 2			Size 3		Size 4		

DRIVE TYPE DESIGNATION

BDI50-XXXX-KXX-X-Y-Y

EMI Filter:	F = included; [Empty] = not included
PNP / NPN:	N = NPN input; P = PNP input; NP = PNP and NPN
Rated voltage:	2M = 230 Vac (200...240 Vac), 1ph; 2T = 230 Vac (200...240 Vac), 3ph; 4 = 400 Vac (380...480 Vac), 3ph
Software:	X = standard
Braking unit:	B = included; X = not included
Keypad:	K = Integrated (LED keypad with 5-digits 7-segment display)
Drive power, in kW	
Mechanical drive sizes	
BDI50 drive series	

WEIGHTS AND DIMENSIONS

Mechanical size	Dimensions: Width x Height x Depth		Weight	
	mm	inches	kg	lbs
1	72.0 x 141.0 x 141.0	2.83 x 5.55 x 5.55	0.85 (0.95*)	1.87 (2.09*)
2	118.0 x 144.0 x 150.0	4.64 x 5.67 x 5.90	1.35 (1.45*)	2.97 (3.20*)
3	129.0 x 197.5 x 148.0	5.08 x 77.75 x 8.83	1.35 (1.45*)	2.97 (3.20*)
4	187.0 x 273.0 x 190.0	7.36 x 10.75 x 7.48	6 (6.3*)	13.22 (13.89*)

* with filter

GENERAL CHARACTERISTICS

Control Mode		V/f Control, Sensorless control (SLV)
Speed control accuracy		±2% [SLV, overload 150% and control range 1 : 16 / 60...4Hz; 50...3Hz]. ±3% [V/f open-loop, overload 100% and control range 1 : 10 / 60...6Hz; 50...5Hz].
Overload		150% rated current for 60sec
Frequency	Output freq. Range	0.1-599.00Hz
	Setting	Keypad : Set directly with ▼▲ keys or the VR (Potentiometer integrated) External signal: <ul style="list-style-type: none"> • AVI (0-10V / 2-10V), ACI (0-20mA, 4-20mA) input • multifunction digital inputs • by communication
	Frequency limit	Lower and upper frequency limits 3 -skip frequency settings
Run & Stop	Methods	<ul style="list-style-type: none"> • Keypad • Multifunction terminals (2/3 wire selection) • Jog function • By communication
Main Controls	V/f curve setting	6 fixed + one customized
	Carrier frequency	1-16kHz (default 5kHz)
	Acceleration and deceleration control	2 sets Acc / dec time parameters 4 points S curve parameters
	Multifunction digital input	5, 19 functions Sizes 1/2: NPN&PNP by separate models Sizes 3/4: NPN&PNP selection from terminals
	Multifunction digital output	1 relay, 16 functions
	Multifunction analog input	2, AVI: 0-10V/2-10V, ACI: 0-20mA/4-20mA
	Multifunction analog output	1 (0-10V), 5 functions
Display	Main features	Autotune, Torque compensation, Slip compensation, 8 preset speeds, Auto-run, PID control, torque boost, V/f starting Frequency, Fault reset, Powerloss ride through, DC-brake, Mechanical brake control, AVR function, Fan control
	Info available	Parameter, parameter value, frequency, line speed, DC voltage, output voltage, output current, PID feedback, input and output terminal status, Heat sink temperature, Program Version, Fault Log
Protection Functions	LED Status Indicator	Run, stop, forward and reverse
	Overload Protection	Integrated motor and Inverter overload protection
	Motor over-temperature	By PTC (AVI)
	Overvoltage	230V Class : > 410V, 400V Class: > 820V
	Undervoltage	230V Class: < 190V, 400V Class: < 380V
	Auto-Restart	Inverter auto-restart after a momentary power loss
	Stall Prevention	Stall prevention for Acceleration / Deceleration and continuous Run
Environment Specification	Additional protective functions	Heatsink over temperature protection, Auto carrier frequency reduction with temperature rise, Protection of reverse operation, Auto restart attempts setting, Parameter lock
	Protection degree	IP20
	Operating Temperature	-10- +40°C (size 1), -10-+50°C (all other sizes)
	Storage Temperature	-20-+60°C
	Humidity	Under 95% RH (no condensation)
	Altitude	1000 meters or lower
Communication Function	Vibration	Under 20Hz, 1G [9.8m/s ²]; 20-50Hz 0.6G [5.88m/s ²]
		Built in: RS-485 with Modbus RTU / ASCII (standard RJ45 connection), BACnet Optionals: Profibus, DeviceNet, CANopen, TCP/IP
Braking unit		Built-in on 3ph 400V Class and 3ph 230V Class from 3.7kW to 7.5kW
EMI filter		Built-in on -F version 1ph 230V Class and 3ph 400V Class
Certification	CE RoHS	In compliance with EN61800-3 (CE & RE) and EN61800-5-1(LVD) Conformity to RoHS directive
	cULus	UL508

GENERAL CHARACTERISTICS

INTEGRATED KEYPAD WITH POTENTIOMETER

The integrated programming keypad with 5 Digit 7 Segment LED display provide fast programming and immediate start-up. Simple speed adjustment through integrated potentiometer.

PROCESSOR

32 bit / 100MHz CPU design provides high performance, faster A/D conversion and torque compensation.

BUILT-IN EMI FILTER AND BRAKING TRANSISTOR

Integrated filter for interference suppression in compliance with EN61800-3 First environment and built-in braking transistor allow high installation flexibility and panel space reduction.

I/O CONFIGURATION

The BDI50 inverter features a standard I/O card to satisfy industrial standard applications.

- > Digital inputs: 5, NPN/PNP
- > Digital output: 1, relay
- > Analog inputs: 2, AVI: 0~10V /2~10V, ACI: 0~20mA / 4~20mA
- > Analog output: 1, 0-10V
- > Motor protection input: by PTC (AVI).

SERIAL COMMUNICATION

The BDI50 integrates a standard RS485 serial line with Modbus RTU/ASCII protocol. A frontal RJ45 with dust-proof socket make it very easy to access and use.

Modbus

RFI-JUMPER FOR IT MAINS

Removable "y" capacitor for use on IT mains.

PTC MOTOR PROTECTION

Motor overtemperature protection function.

EARTH TERMINALS

Earthing terminals built-in into heat sink to provide effective grounding protection.

COMPACT AND ROBUST DESIGN

Coated PCB offers protection for harsh environments. BDI50 Size 1 has fanless design with cooling heatsink for greater robustness against humidity, dust, oil mist, and vibration.



Sizes 2 to 4 with fan design to enhance the cooling ability.

FIELDBUS

The BDI50 can be easily integrated into machine architectures through integrated standard Bacnet and optional Profibus, CANopen, Devicenet and TCP-IP communication modules.

Model	Description
EXP-PDP-BDI/VDI	Profibus DP interface module
EXP-TCP/IP-BDI/VDI	Ethernet TCP/IP interface module
EXP-DN-BDI/VDI	DeviceNet interface module
EXP-CAN-BDI/VDI	CanBus interface module



RJ45 TO USB CONNECTING CABLE

For the connection between inverter and PC using Gf_eXpress and PC Tools configurator.



COPY UNIT

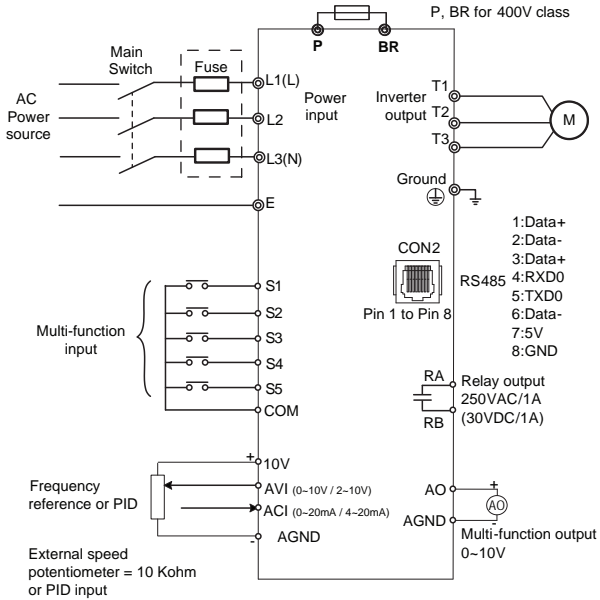
- > Copying parameters settings from one AC drive to another.
- > Can be used as remote keypad.
- > Standard RJ45 interface cable.



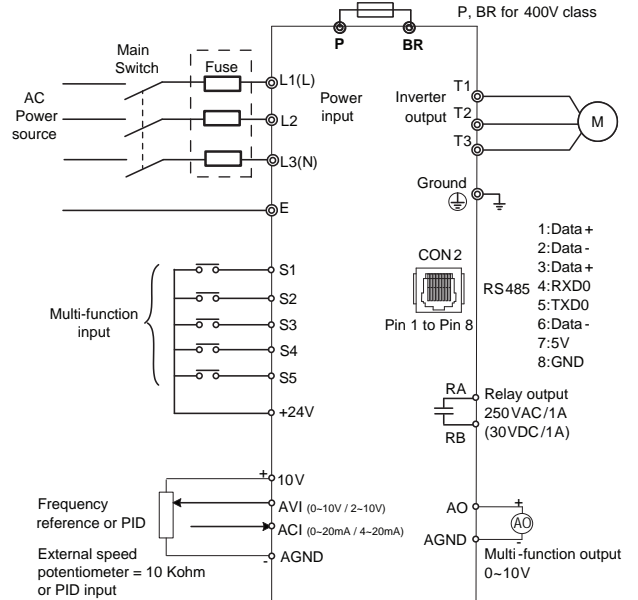
Model	Description
Cable RJ45 to USB 1.8m	RJ45 to USB connecting cable (1.8 m. cable)
Cable RJ45 to USB 3m	RJ45 to USB connecting cable (3 m. cable)

WIRING DIAGRAM

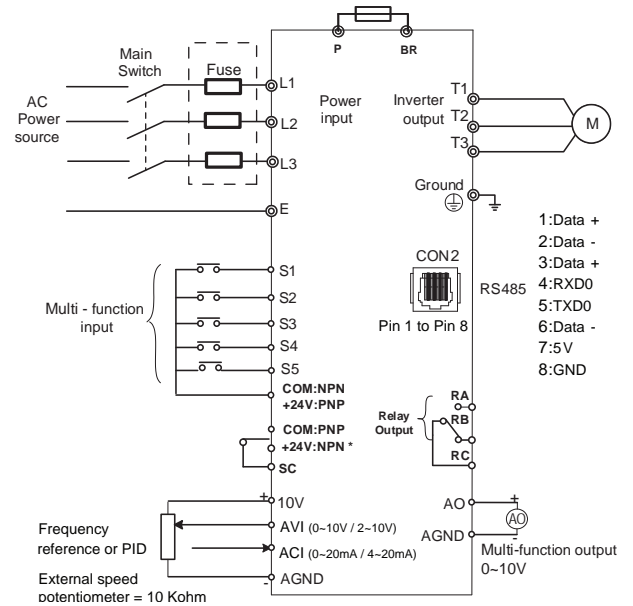
• SIZES 1 / 2, NPN INPUT



• SIZES 1 / 2, PNP INPUT



• SIZES 3 / 4



Wiring (AC Input)	Model	Power Input Terminal
NPN	200V (Single-Phase)	L1 (L) ; L3 (N)
	200V (Three-Phase)	L1(L) ; L2 ; L3 (N)
	400V (Three-Phase)	L1 ; L2 ; L3
PNP	200V (Single-Phase)	L1 (L) ; L3 (N)
	400V (Three-Phase)	L1 ; L2 ; L3

(1) NPN: 24V connected to SC.
PNP: COM connected to SC.

(2) If SC is not connected, inverter parameter group 03-XX can't be enabled.

CHOOSING THE INVERTER: INPUT AND OUTPUT DATA

SINGLE PHASE – 230V CLASS

Sizes BDI50		1004	1007	2015	2022	
Output Rating	Rated Output Capacity	kVA	1.0	1.65	2.9	4.0
	Rated Output Current	A	2.6	4.3	7.5	10.5
	Maximum Applicable Motor	HP	0.5	1	2	3
		kW	0.4	0.75	1.5	2.2
	Output Voltage	V	Three-Phase, 0 to 240V			
Output Frequency	Hz	Based on parameter setting 0.1–599				
Input Rating	Rated Voltage, Frequency	Single-Phase, 200V to 240V, 50/60Hz				
	Allowable Voltage Fluctuation	+10% – -15%				
	Allowable Frequency Fluctuation	±5%				
	Input current ⁽¹⁾	A	7.2	11	15.5	21
Allowable momentary power loss time	s	1.0	1.0	2.0	2.0	
Enclosure	IP20					

THREE PHASE – 230V CLASS

Sizes BDI50		1007	2015	2022	3037	4055	4075	
Output Rating	Rated Output Capacity	kVA	1.65	2.90	4.00	6.67	9.91	13.34
	Rated Output Current	A	4.3	7.5	10.5	17.5	26	35
	Maximum Applicable Motor	HP	1	2	3	5	7.5	10
		kW	0.75	1.5	2.2	3.7	5.5	7.5
	Output Voltage	V	Three-Phase, 0 to 240V					
Output Frequency	Hz	Based on parameter setting 0.1–599						
Input Rating	Rated Voltage, Frequency	Three-Phase, 200V to 240V, 50/60Hz						
	Allowable Voltage Fluctuation	+10% – -15%						
	Allowable Frequency Fluctuation	±5%						
	Input current ⁽¹⁾	A	6.4	9.4	12.2	19.3	28.6	38.5
Allowable momentary power loss time	s	1.0	2.0	2.0	2.0	2.0	2.0	
Enclosure	IP20							

⁽¹⁾ The input current is calculated value at full rated output current.

BDI50 COMPACT V/f & SENSORLESS INVERTER

THREE PHASE - 400V CLASS

Sizes BDI50		2007	2015	2022	3037	3055	4075	4110	
Output Rating	Rated Output Capacity	kVA	1.7	2.9	4.0	7.01	9.91	13.34	18.29
	Rated Output Current	A	2.3	3.8	5.2	9.2	13.0	17.5	24
	Maximum Applicable Motor	HP	1	2	3	5	7.5	10	15
		kW	0.75	1.5	2.2	3.7	5.5	7.5	11
	Output Voltage	V	Three-Phase, 0 to 480V						
Output Frequency	Hz	Based on parameter setting 0.1~599							
Input Rating	Rated Voltage, Frequency	Three-Phase, 380V to 480V, 50/60Hz							
	Allowable Voltage Fluctuation	+10% ~ -15%							
	Allowable Frequency Fluctuation	±5%							
	Input current ⁽¹⁾	A	4.2	5.6	7.3	10.1	14.3	19.3	26.4
Allowable momentary power loss time	s	2.0	2.0	2.0	2.0	2.0	2.0	2.0	
Enclosure	IP20								

⁽¹⁾ The input current is calculated value at full rated output current.

DRIVE MODELS & CODES

SINGLE PHASE - 230V CLASS

- Without EMI filter
- IP20

Code	Model	Pn @ 230 Vac	Configuration
S6N01	BDI50-1004-KXX-2M-N	0.4 kW	Without EMI filter - NPN Input
S6N02	BDI50-1007-KXX-2M-N	0.75 kW	Without EMI filter - NPN Input
S6N03	BDI50-2015-KXX-2M-N	1.5 kW	Without EMI filter - NPN Input
S6N04	BDI50-2022-KXX-2M-N	2.2 kW	Without EMI filter - NPN Input

- With integrated EMI filter
- IP20

Code	Model	Pn @ 230 Vac	Configuration
S6N05	BDI50-1004-KXX-2M-P-F	0.4 kW	With EMI filter - PNP Input
S6N06	BDI50-1007-KXX-2M-P-F	0.75 kW	With EMI filter - PNP Input
S6N07	BDI50-2015-KXX-2M-P-F	1.5 kW	With EMI filter - PNP Input
S6N08	BDI50-2022-KXX-2M-P-F	2.2 kW	With EMI filter - PNP Input

THREE PHASE - 230V CLASS

- Without EMI filter
- IP20

Code	Model	Pn @ 230 Vac	Configuration
S6N09	BDI50-1007-KXX-2T-N	0.75 kW	Without EMI filter - NPN Input
S6N10	BDI50-2015-KXX-2T-N	1.5 kW	Without EMI filter - NPN Input
S6N11	BDI50-2022-KXX-2T-N	2.2 kW	Without EMI filter - NPN Input
S6N12	BDI50-3037-KBX-2T-NP	3.7 kW	Internal Braking Unit - Without EMI filter - PNP/NPN Input
S6N13	BDI50-4055-KBX-2T-NP	5.5 kW	Internal Braking Unit - Without EMI filter - PNP/NPN Input
S6N14	BDI50-4075-KBX-2T-NP	7.5 kW	Internal Braking Unit - Without EMI filter - PNP/NPN Input

THREE PHASE - 400V CLASS

- Without EMI filter
- IP20

Code	Model	Pn @ 400 Vac	Configuration
S6N15	BDI50-2007-KBX-4-N	0.75 kW	Internal Braking Unit - Without EMI filter - NPN Input
S6N16	BDI50-2015-KBX-4-N	1.5 kW	Internal Braking Unit - Without EMI filter - NPN Input
S6N17	BDI50-2022-KBX-4-N	2.2 kW	Internal Braking Unit - Without EMI filter - NPN Input
S6N18	BDI50-3037-KBX-4-NP	3.7 kW	Internal Braking Unit - Without EMI filter - PNP/NPN Input
S6N19	BDI50-3055-KBX-4-NP	5.5 kW	Internal Braking Unit - Without EMI filter - PNP/NPN Input
S6N20	BDI50-4075-KBX-4-NP	7.5 kW	Internal Braking Unit - Without EMI filter - PNP/NPN Input
S6N21	BDI50-4110-KBX-4-NP	11 kW	Internal Braking Unit - Without EMI filter - PNP/NPN Input

- With integrated EMI filter
- IP20

Code	Model	Pn @ 400 Vac	Configuration
S6N22	BDI50-2007-KBX-4-P-F	0.75 kW	Internal Braking Unit - With EMI filter - PNP Input
S6N23	BDI50-2015-KBX-4-P-F	1.5 kW	Internal Braking Unit - With EMI filter - PNP Input
S6N24	BDI50-2022-KBX-4-P-F	2.2 kW	Internal Braking Unit - With EMI filter - PNP Input
S6N25	BDI50-3037-KBX-4-NP-F	3.7 kW	Internal Braking Unit - With EMI filter - PNP/NPN Input
S6N26	BDI50-3055-KBX-4-NP-F	5.5 kW	Internal Braking Unit - With EMI filter - PNP/NPN Input
S6N27	BDI50-4075-KBX-4-NP-F	7.5 kW	Internal Braking Unit - With EMI filter - PNP/NPN Input
S6N28	BDI50-4110-KBX-4-NP-F	11 kW	Internal Braking Unit - With EMI filter - PNP/NPN Input

ACCESSORIES AND OPTIONS

Code	Model	Description
Communication modules		
S6N218	EXP-PDP-BDI/VDI	Profibus DP interface module
S6N219	EXP-TCPIP-BDI/VDI	Ethernet TCP/IP interface module
S6N220	EXP-DN-BDI/VDI	DeviceNet interface module
S6N221	EXP-CAN-BDI/VDI	CanBus interface module
Others		
S6N228	Memory KB-BDI/VDI	Copy unit
S6N229	Cable RJ45 to USB 1.8m	RJ45 to USB connecting cable (1.8 m. cable)
S6N230	Cable RJ45 to USB 3m	RJ45 to USB connecting cable (3 m. cable)
S6N238	KIT DIN BDI50 Size 1	DIN rail kit Size 1
S6N239	KIT DIN BDI50 Size 2	DIN rail kit Size 2

SOFTWARE

GF-eXpress PROGRAMMING SOFTWARE

Applications

- > Configuring parameters of Gefran devices (Instruments, Drives, Sensors)
- > Tuning control parameters with on-line tests and trends
- > Managing parameter archive for multiple configuration.

Features

- > Guided product selection
- > Multiple languages
- > Creation and storage of recipes
- > Oscilloscope
- > Simplified settings
- > Parameter printout
- > Network autoscan

GF_eXpress software configures the parameters of the automation components, drives and sensors in the Gefran catalogue.

The graphic interface makes selecting and configuring parameters easy and intuitive. Devices are grouped according to product type and functions.

Products are searched by means of a context search and a display of product photos.

This provides a single device library for all Gefran products.

Complete configuration information for every device is given in XML format to facilitate expansion of the catalogue and parameters.

